

ILLUSTRATED PARTS BREAKDOWN

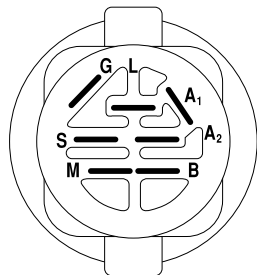
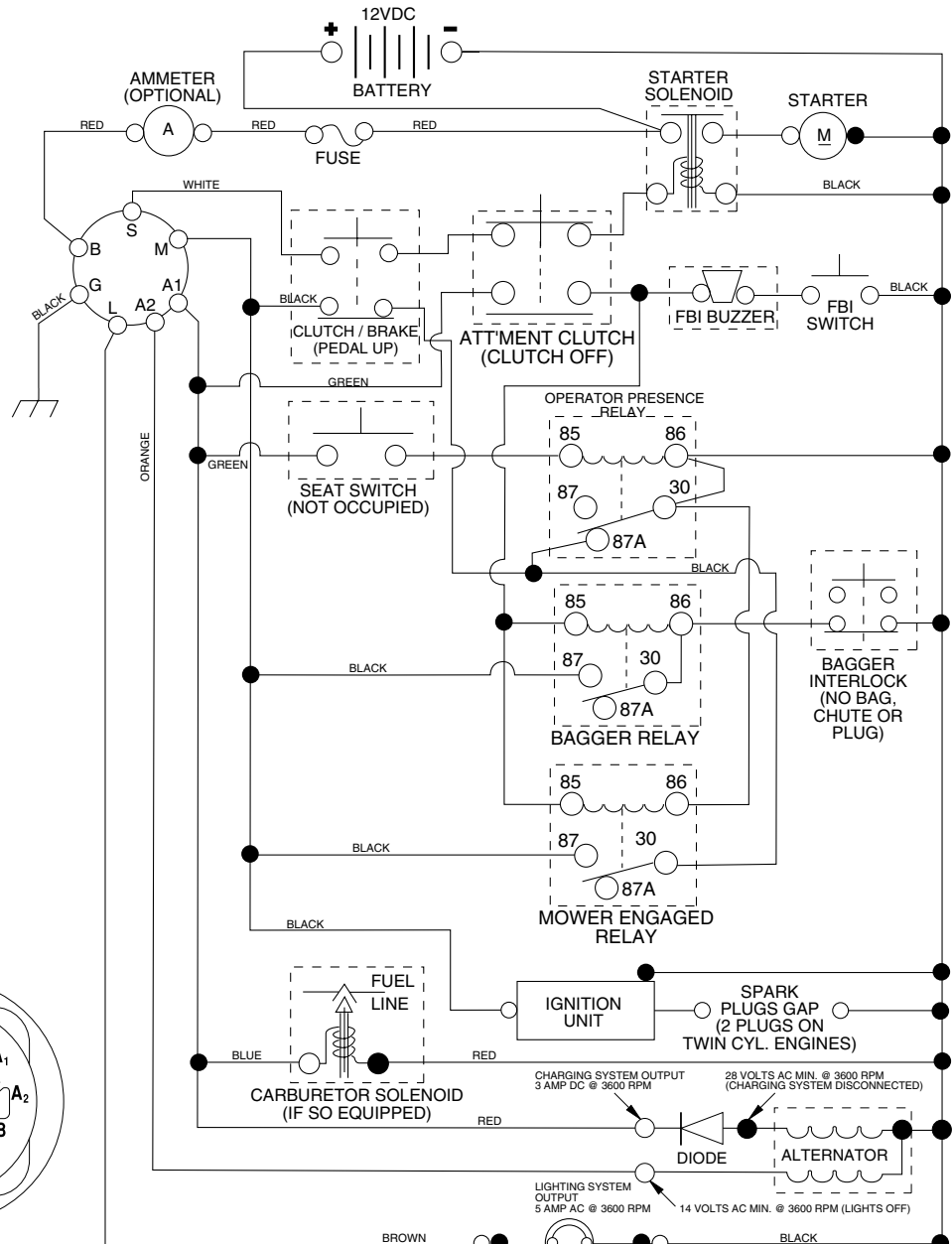
PARTNER

12 HP LAWN TRACTOR

MODEL NO. P1292RB (P1292RBB)

964 77 19-01

TRACTOR- -MODEL NO. P1292RB (P1292RBB), PRODUCT NO. 964 77 19-01 SCHEMATIC



IGNITION SWITCH

POSITION	CIRCUIT	"MAKE"
OFF	M+G+A1	NONE
RUN/LIGHT	B+A1	A2+L
RUN	B+A1	NONE
START	B + S + A1	NONE

WIRING INSULATED CLIPS
NOTE: IF WIRING INSULATED CLIPS WERE REMOVED FOR SERVICING OF UNIT, THEY SHOULD BE REPLACED TO PROPERLY SECURE YOUR WIRING.

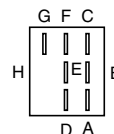


PTO SWITCH

POSITION	CIRCUIT
OFF	C + G, B + H
ON	C + F, B + E, A + D

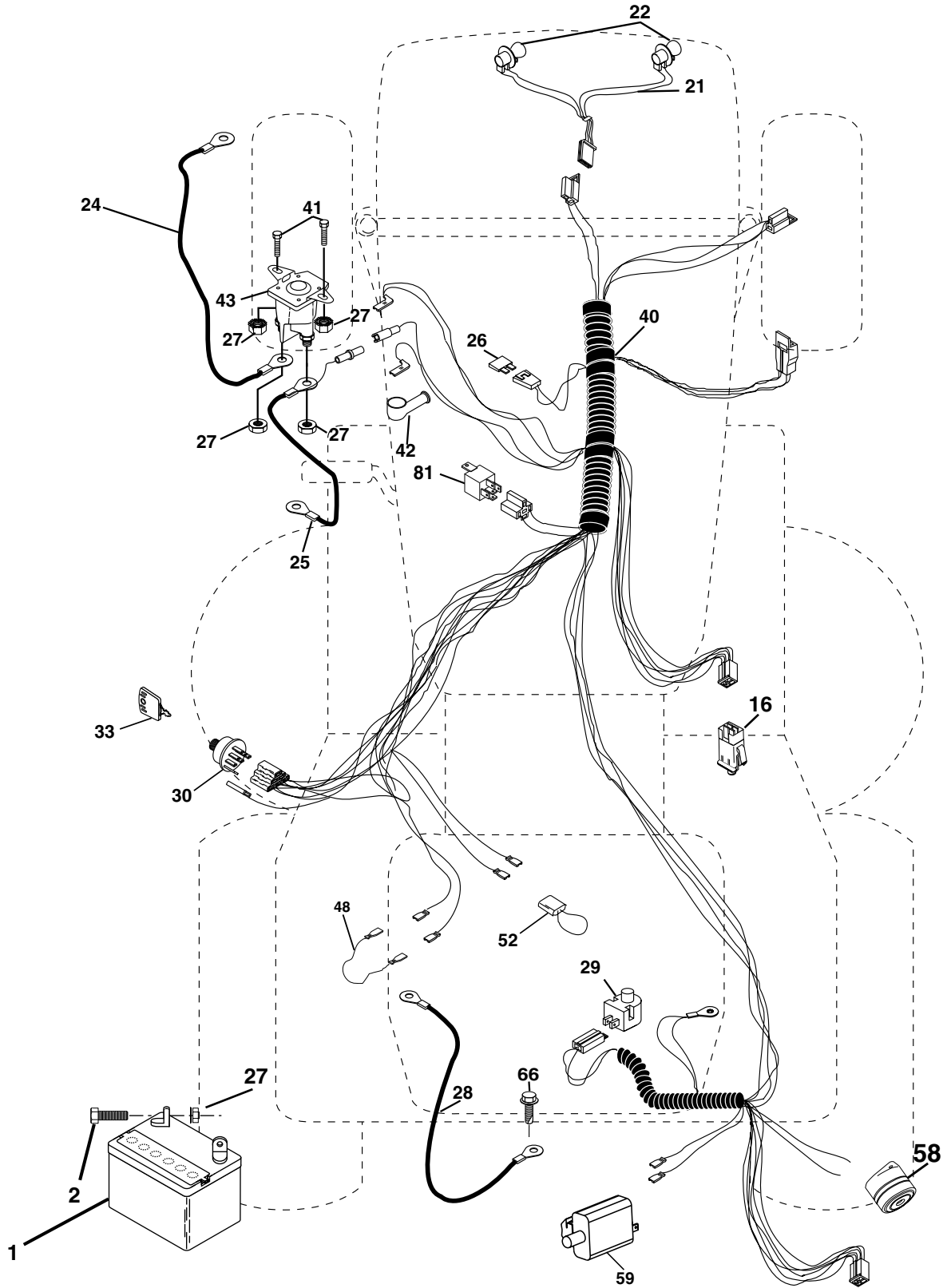
HEADLIGHTS

NOTE
YOUR TRACTOR IS EQUIPPED WITH A SPECIAL ALTERNATOR SYSTEM. THE LIGHTS ARE NOT CONNECTED TO THE BATTERY, BUT HAVE THEIR OWN ELECTRICAL SOURCE. BECAUSE OF THIS, THE BRIGHTNESS OF THE LIGHTS WILL CHANGE WITH ENGINE SPEED. AT IDLE THE LIGHTS WILL DIM. AS THE ENGINE IS SPEEDED UP, THE LIGHTS WILL BECOME THEIR BRIGHTEST.



REPAIR PARTS

TRACTOR- -MODEL NO. P1292RB (P1292RBB), PRODUCT NO. 964 77 19-01
ELECTRICAL



REPAIR PARTS

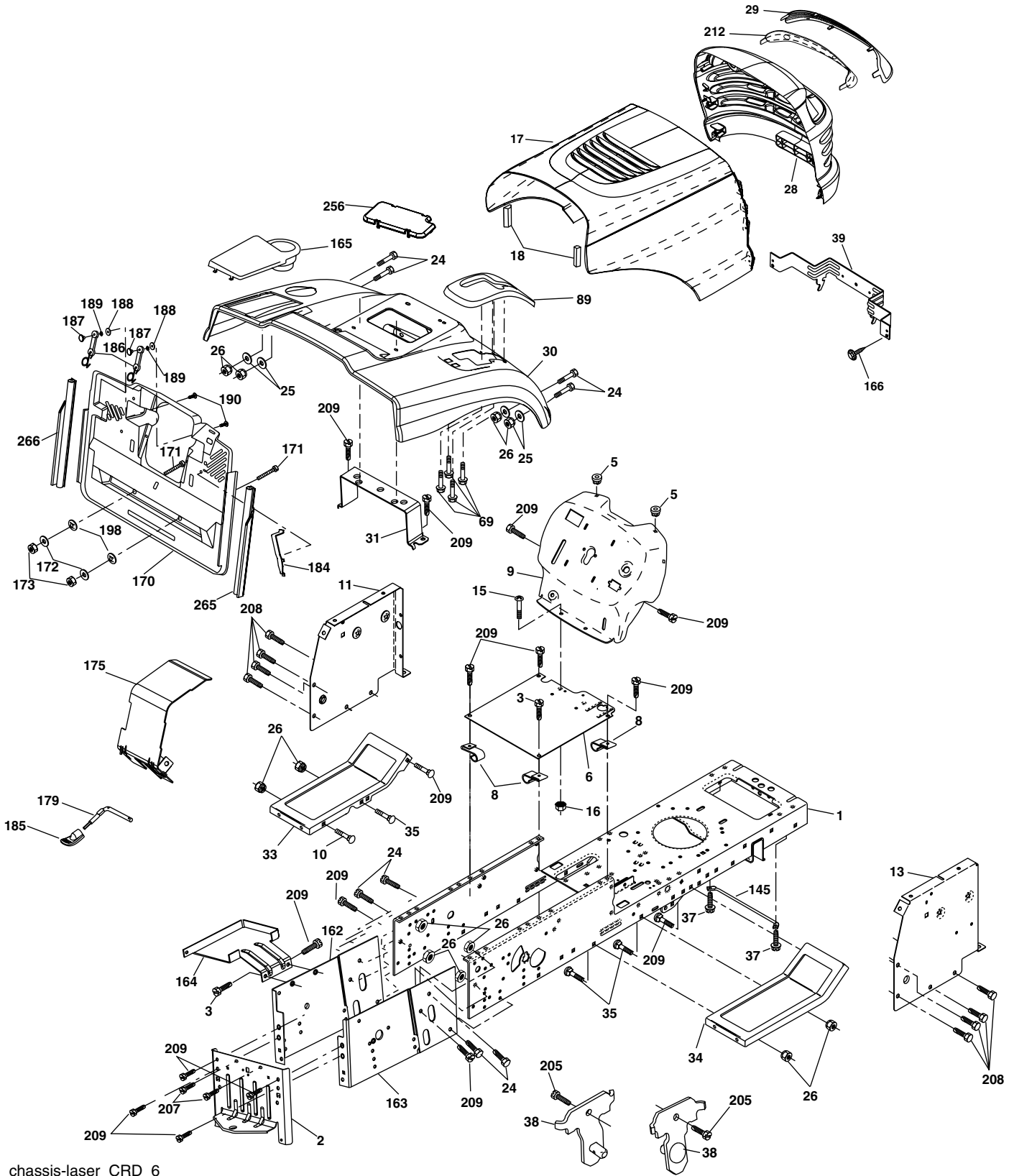
TRACTOR- -MODEL NO. P1292RB (P1292RBB), PRODUCT NO. 964 77 19-01
ELECTRICAL

KEY NO.	PART NO.	DESCRIPTION
1	532 16 34-65	Battery
2	874 76 04-12	Bolt Hex Hd 1/4-20 unc x 3/4
16	532 17 61-38	Switch Interlock Push-In
21	532 17 56-88	Harness Asm. Light
22	532 00 41-52	Bulb
24	532 12 47-80	Cable Starter 6 Ga. 11" Red
25	532 16 59-87	Cable Battery Crd 56" Red
26	532 17 51-58	Fuse 20 Amp
27	873 51 04-00	Nut Keps Hex 1/4-20 unc
28	532 12 77-25	Cable Ground 6 Ga. 18" Black
29	532 12 13-05	Switch Plunger Normal Gray
30	532 17 55-66	Switch Ignition
33	532 14 04-01	Key Ign
40	532 18 80-36	Harness Ign
41	871 11 04-08	Bolt Flk Fin Hex 1/4-20 unc x 1/2
42	532 13 15-63	Cover Terminal Red
43	532 17 88-61	Solenoid
48	532 14 08-44	Adapter Ammeter Rectangular
52	532 14 19-40	Protection Wire Loop
58	532 16 94-19	Buzzer Crd
59	532 18 03-79	Switch FBI CRD
66	817 49 06-08	Screw Thdrol 3/8-16 x 1/2 Ty-Tt
81	532 10 97-48	Relay Asm

NOTE: All component dimensions given in U.S. inches.
1 inch = 25.4 mm.

REPAIR PARTS

TRACTOR- -MODEL NO. P1292RB (P1292RBB), PRODUCT NO. 964 77 19-01
CHASSIS AND ENCLOSURES



chassis-laser_CRD_6

REPAIR PARTS

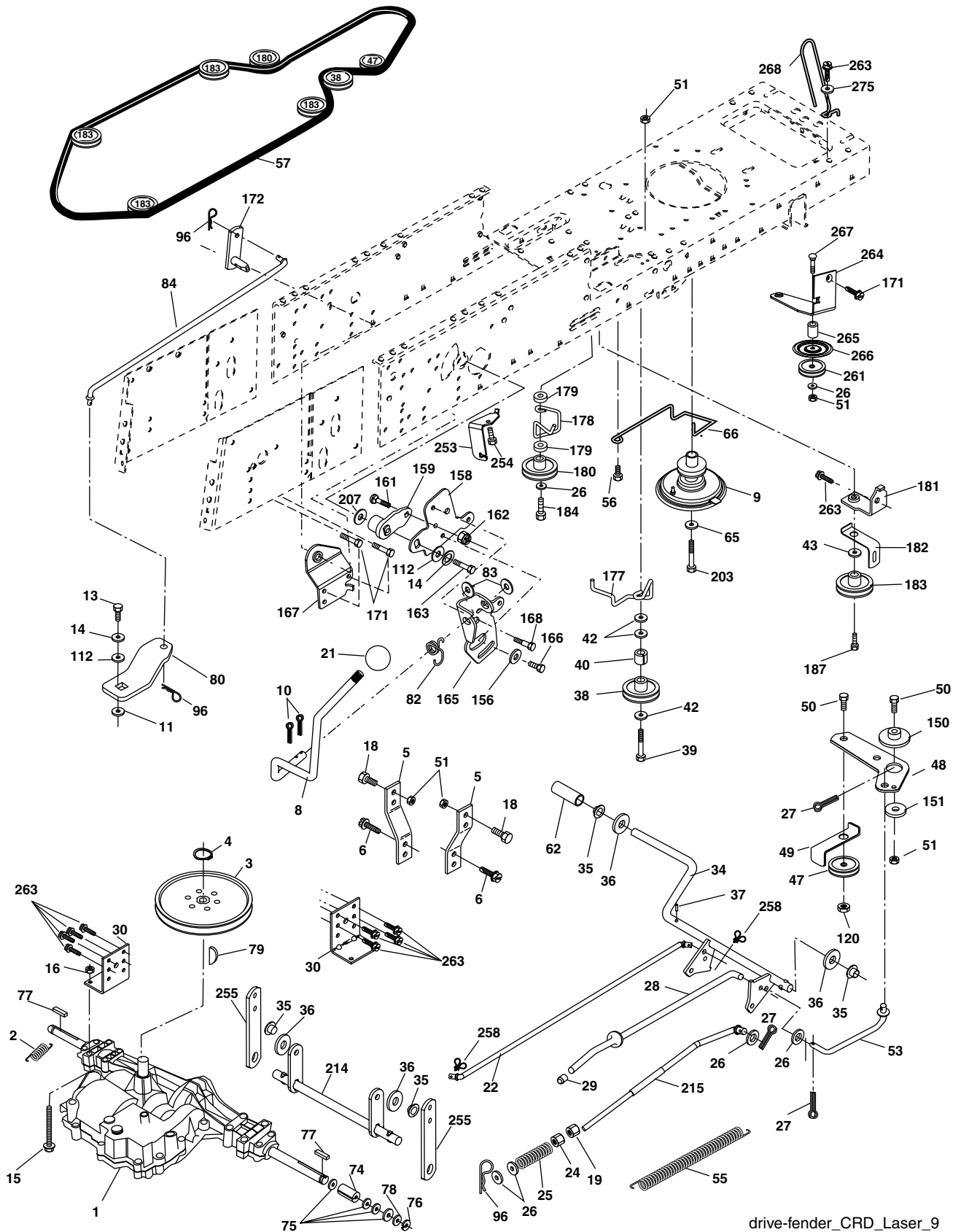
TRACTOR- -MODEL NO. P1292RB (P1292RBB), PRODUCT NO. 964 77 19-01 CHASSIS AND ENCLOSURES

KEY NO.	PART NO.	DESCRIPTION	KEY NO.	PART NO.	DESCRIPTION
1	532 17 46-20	Chassis	163	532 18 03-83	Bracket Exten Chassis Rh CRD
2	532 18 03-84	Drawbar	164	532 16 56-05	Support Battery CRD
3	817 06 06-12	Screw 3/8-16 x 3/4	165	532 18 13-56	Cover Battery
5	532 15 52-72	Bumper Hood/Dash	166	532 17 18-75	Screw HWHD Hi-Lo #13-16 x 3/4
6	532 18 44-19	Saddle	170	532 17 88-62	Backplate CRD
8	532 12 64-71	Clip Insulator 13/32 Mtg. Hole	171	872 14 06-20	Bolt Rdhd Sqnk 3/8-16 x 2-1/2 Gr. 5
9	532 18 54-80	Dash	172	819 13 20-16	Washer 13/32 x 1-1/4 x 16 Ga.
10	872 14 06-08	Bolt, Carriage 3/8-16 x 3/4	173	873 51 06-00	Nut, Keps Hex 3/8-16 unc
11	532 17 49-96	Panel, Dash, L.H.	175	532 18 82-03	Guard Trap
13	532 18 17-19	Panel, Asm. Dash R.H.	179	532 18 03-76	Rod Pivot FBI CRD
15	874 18 05-12	Screw, Machine, Truss Head 5/16-18 unc x 3/4	184	532 17 46-62	Bracket Actuator Bagger CRD
16	873 51 05-00	Nut	185	532 18 11-01	Knob Rod Brake Parking
17	532 18 29-07	Hood	186	532 16 07-93	Latch Asm Mulch/Bagger
18	532 18 49-21	Bumper Hood	187	532 12 50-04	Nut Weld
24	874 78 06-16	Bolt	188	819 06 12-16	Washer #10
25	819 13 13-12	Washer 13/32 x 13/16 x 12 Gauge	189	810 07 10-00	Washer Lock #10
26	873 80 06-00	Nut	190	871 08 10-10	Screw Pan Hd Phillip 10-24 x 5/8
28	532 17 97-49	Grille /Lens Asm	198	532 16 89-37	Nut, Push
29	532 18 27-18	Lens, Grille	205	817 49 06-08	Screw Thdrol 3/8-16 x 1/2
30	532 18 13-86	Fender	207	817 67 05-08	Screw Thdrol 5/16-18 x 1/2
31	532 16 51-56	Bracket, Fender Support	208	817 67 06-08	Screw Thdrol 3/8-16 x 1/2
33	532 18 25-07	Footrest, L.H.	209	817 00 06-12	Screw Hex Wsh Thdrol 3/8-16
34	532 18 25-08	Footrest, R.H.	212	532 17 51-43	Insert Lens Reflective
35	872 11 06-06	Bolt	256	532 18 13-61	Cover Fender Rack
37	817 49 05-08	Screw Thdrol 5/16-18 x 1/2 TYT	265	532 18 57-04	Seal Side RH Bagger
38	532 18 17-48	Bracket Asm Pivot Mower Rear	266	532 18 57-03	Seal Side LH Bagger
39	532 17 47-14	Bracket Pivot Laser LT	- -	532 00 54-79	Plug, Button
69	532 14 24-32	Screw Hx Wsh Hi-Lo 1/4-1/2			
89	532 18 13-88	Console Crd Auto			
145	532 15 65-24	Rod Pivot Chassis/Hood			
162	532 18 03-82	Bracket Exten Chassis Lh CRD			

NOTE: All component dimensions given in U.S. inches.
1 inch = 25.4 mm.

REPAIR PARTS

TRACTOR- -MODEL NO. P1292RB (P1292RBB), PRODUCT NO. 964 77 19-01
DRIVE



REPAIR PARTS

TRACTOR- -MODEL NO. P1292RB (P1292RBB), PRODUCT NO. 964 77 19-01
DRIVE

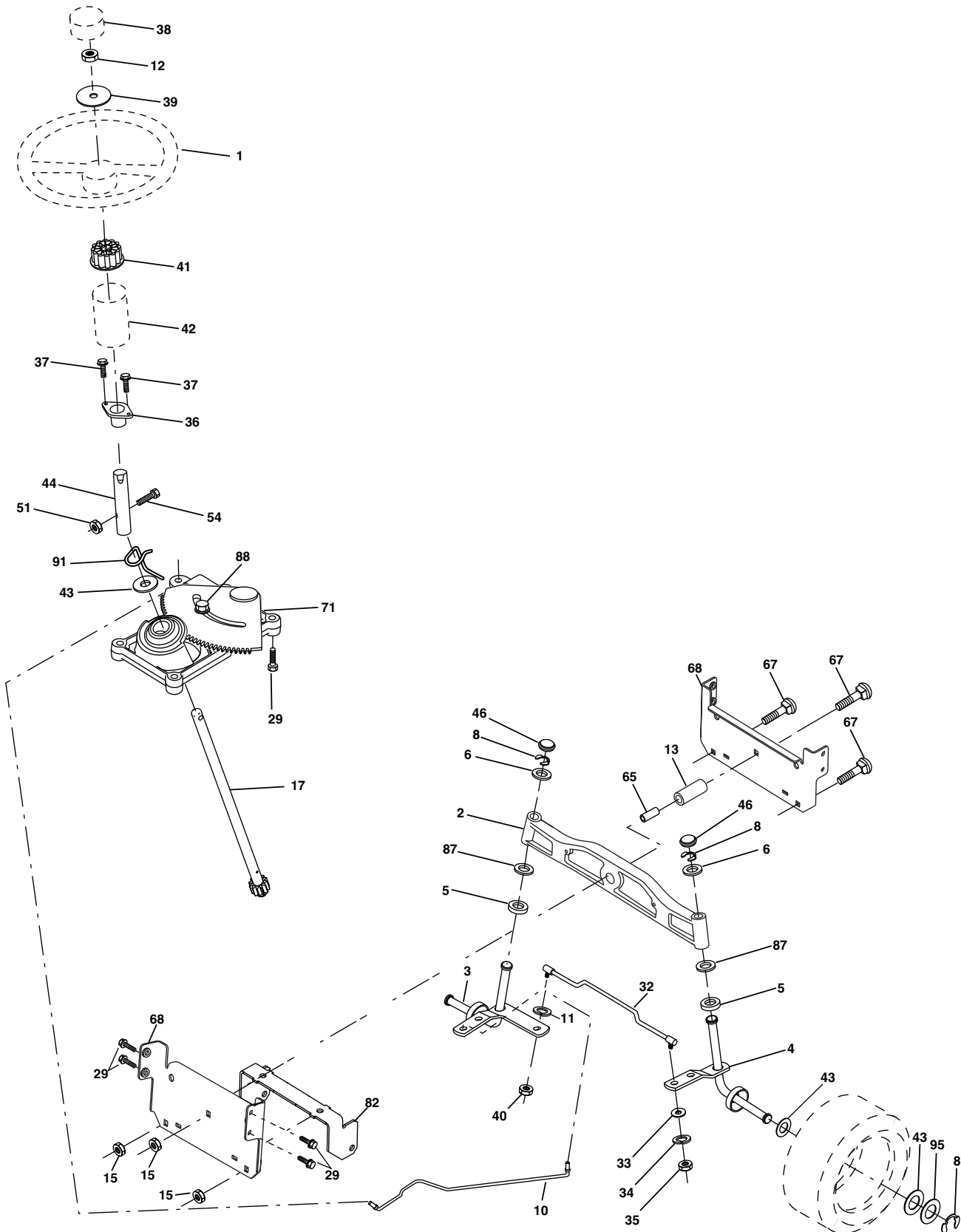
KEY NO.	PART NO.	DESCRIPTION
1	-----	Transaxle Peerless 206-546 Order parts from transaxle manufacturer
2	532 14 66-82	Spring Brake Return
3	532 16 59-99	Pulley Transaxle
4	812 00 00-28	Ring Retainer #5100-62
5	532 12 15-20	Strap torque 30 degrees
6	817 06 05-12	Screw 5/16-18 x 3/4
8	532 16 56-19	Rod Shift Fender Adjust Lt
9	532 18 03-54	Clutch Asm Noram
10	876 02 04-16	Pin, Cotter 1/8 x 1
11	532 10 57-01	Washer Plate Shf .3888 sq hole
13	874 55 04-12	Bolt 1/4-28 unf Gr. 8 w/patch
14	810 04 04-00	Washer, Lock Hvy Helical
15	874 49 05-40	Bolt Hex FGHD 5/16-18 x Gr. 5
16	873 80 05-00	Nut, Lock Hex w/Ins 5/16-18 unc
18	874 78 06-16	Bolt Hex 3/8-16 unc x 1 Gr. 5
19	873 80 06-00	Nut, Lock Hex w/Wsh 3/8-16 unc
21	532 10 69-33	Knob Round 1/2-13 unc Blk
22	532 17 56-07	Rod, Brake CRD Main
24	873 35 06-00	Nut
25	532 10 68-88	Spring, Rod, Brake
26	819 13 13-16	Washer 13/32 x 13/16 x 16 Ga.
27	876 02 04-12	Pin, Cotter 1/8 x 3/4
28	532 17 57-65	Rod, Parking Brake
29	532 07 16-73	Cap, Parking Brake
30	532 17 49-73	Bracket, Mfg. Transaxle
34	532 17 55-78	Shaft, Asm Pedal Foot CRD
35	532 12 01-83	Bearing, Nylon
36	819 21 16-16	Washer 21/32 x 1 x 16 Ga.
37	532 12 49-63	Pin, Roll 3/16 x 1"
38	532 16 59-36	Pulley, Flat
39	874 76 06-44	Bolt Fin Hex 3/8-16 unc x 2-3/4
40	532 12 49-65	Spacer, Split 395 x 59 Bzp
42	819 13 13-12	Washer 13/32 x 13/16 x 12 Ga.
43	819 11 10-12	Washer 11/32 x 5/8 x 12 Ga.
47	532 12 77-83	Pulley, Idler, V Groove Plasic
48	532 15 44-07	Bellcrank Clutch Grnd Drv
49	532 12 32-05	Retainer, Belt Style Spring
50	872 11 06-12	Bolt Carr Sh 3/8-16 x 1-1/2 Gr. 5
51	873 68 06-00	Nut, Crownlock 3/8-16 unc
53	532 10 57-10	Link, Clutch 7.66
55	532 10 57-09	Spring, Return, Clutch
56	817 06 06-20	Screw 3/8-16 x 1-1/4
57	532 16 56-31	V-Belt Kev PMST CRD
62	532 12 48-72	Cover, Pedal
65	810 04 07-00	Washer
66	532 15 47-78	Keeper, Belt Engine F-Proof
74	532 13 70-57	Spacer Axle
75	532 12 17-49	Washer 25/32 x 1-1/4 x 16 Ga.
76	812 00 00-01	Ring, E
77	532 12 35-83	Key, Square
78	532 12 17-48	Washer 25/32 x 1-5/8 x 16 Ga.

KEY NO.	PART NO.	DESCRIPTION
79	532 12 50-96	Key Woodruff
80	532 14 50-90	Arm Shift PMST 20" Tires
82	532 16 57-11	Spring, Torsion
83	819 17 12-16	Washer 17/32 x 3/4 x 16 Ga.
84	532 16 56-21	Link Shift CRD Pmst 18" Tires
96	532 12 47-88	Spring, Retainer 1"
112	819 09 12-10	Washer 9/32 x 3/4 x 10 Ga.
120	873 90 06-00	Nut Lock 3/8-16
150	532 16 58-50	Bushing, Bellcrank Grnd Dr
151	819 13 32-10	Washer 13/32 x 2 x 10 Ga.
156	532 16 60-02	Washer Srrd 5/16 ID x 1.125
158	532 16 55-89	Bracket Shift Mount
159	532 18 39-00	Hub Shift
160	532 16 98-45	Washer Nylon
161	872 14 04-06	Bolt Rdhd Sqnk 1/4-20 x 3/4 Gr. 5
162	873 68 04-00	Nut Crownlock 1/4-20 unc
163	874 78 04-16	Bolt Hex Fin 1/4-20 unc x 1 Gr. 5
165	532 16 56-23	Bracket Pivot Lever
166	817 49 05-10	Screw 5/16-18 x 5/8
167	532 16 55-88	Bracket Support Shift CRD
168	532 16 54-92	Bolt Shoulder 5/16-18 x .561
171	817 49 06-08	Screw Thdrol 3/8-16 x 1/2 Ty-Tt
172	532 16 56-35	Shaft Asm Shift Front CRD PMST
177	532 16 59-32	Keeper Flat Idler 3.06" CRD
178	532 16 59-33	Keeper Belt Idler 1.88" CRD
179	532 12 09-58	Washer Sintered
180	532 16 56-30	Pulley Flat Composite 3.06"
181	532 18 02-11	Bracket Idler Ground Drive CRD
182	532 18 26-82	Keeper Belt 2.5" Od V-Idler CRD
183	532 18 60-07	Pulley V-Idler 2.50" Od CRD
184	817 49 06-44	Screw Hexwsh Thdrol 3/8-16 x 2-3/4
187	817 58 05-20	Screw 5/16-18 x 1.25
203	871 17 07-80	Bolt Hex 7/16-20 x 5
214	532 17 56-09	Shaft Asm. Brake
215	532 17 56-51	Rod Brake Secondary
253	532 17 50-28	Bracket Cable Chassis
254	817 00 06-16	Screw 3/8-16 x 1
255	532 17 56-08	Brace Shaft Brake
258	532 17 80-62	Clip Retainer
261	532 13 14-94	Pulley Idler Flat Plated
263	817 00 06-12	Screw Hex Wsh THDR 3/8-16 x 3/4
264	532 18 19-95	Bracket Clutch
265	532 18 20-13	Spacer Idler Chassis
266	532 18 20-61	Shield Idler
267	872 14 06-26	Bolt Rd Sqk 3/8-16 x 3-1/4
268	532 18 24-02	Guard Muffler OHV B&S RH
275	819 13 16-14	Washer 3/8-16 x 3/4

NOTE: All component dimensions given in U.S. inches
1 inch = 25.4 mm

REPAIR PARTS

TRACTOR- -MODEL NO. P1292RB (P1292RBB), PRODUCT NO. 964 77 19-01 STEERING ASSEMBLY



steering_pl.lt_29

REPAIR PARTS

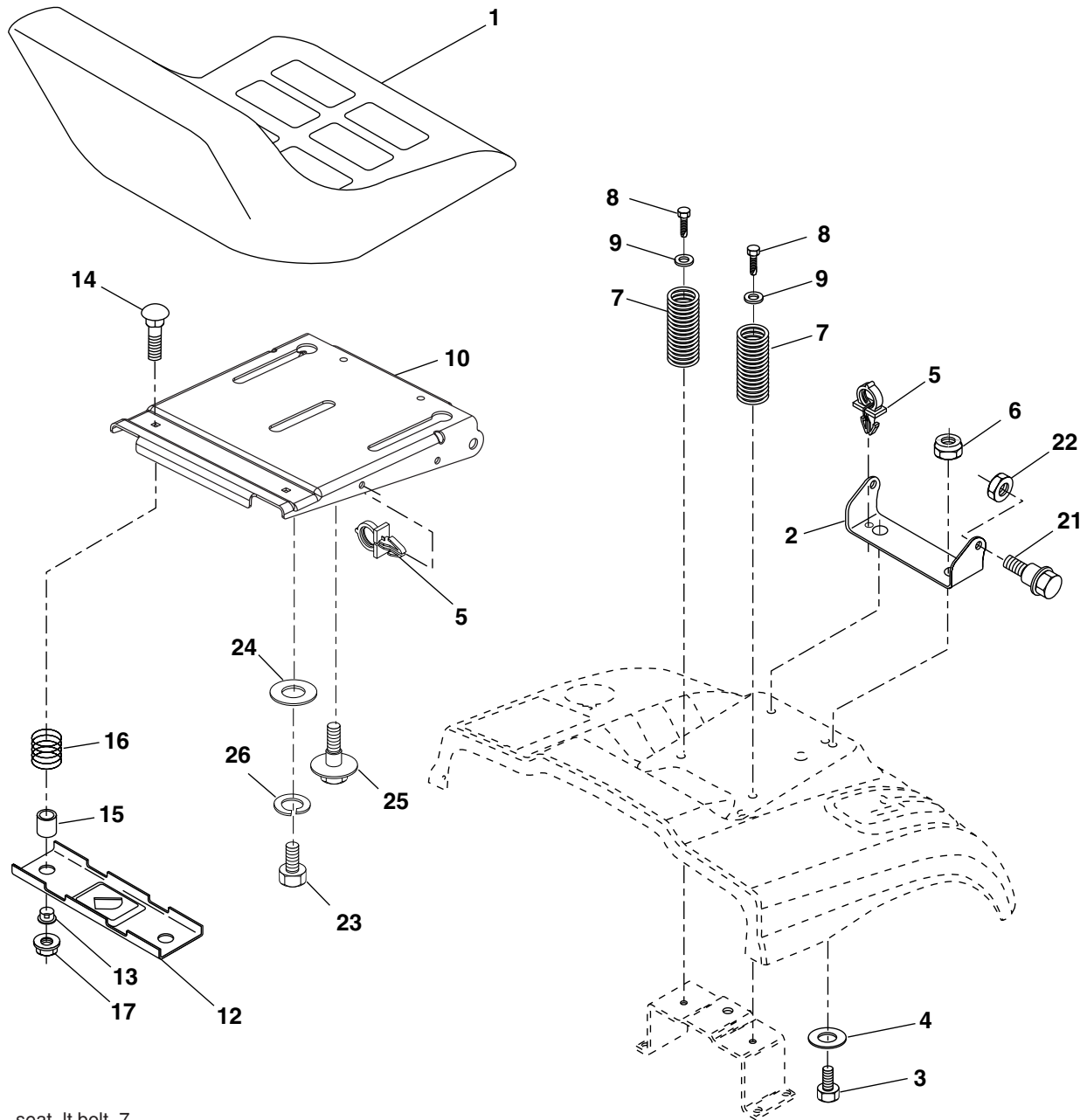
TRACTOR- -MODEL NO. P1292RB (P1292RBB), PRODUCT NO. 964 77 19-01
STEERING ASSEMBLY

KEY NO.	PART NO.	DESCRIPTION
1	532 13 97-68	Steering Wheel
2	532 18 47-06	Cast Iron Axle Assembly
3	532 16 98-40	Spindle Assembly, L.H.
4	532 16 98-39	Spindle Assembly, R.H.
5	532 12 49-31	Bearing, Race, Thrust, Hardened
6	532 12 17-48	Washer 25/32 x 1-5/8 x 16 Ga.
8	812 00 00-29	Ring, Klip
10	532 17 51-21	Link, Drag
11	810 04 06-00	Washer, Lock
12	873 94 08-00	Nut Hex Jam Toplock 1/2-20
13	532 13 65-18	Spacer Brg Axle Front
15	532 14 52-12	Nut, Hexflange Lock
17	532 18 06-41	Shaft Assembly, Steering
29	817 00 06-12	Screw, 3/8-16 x 3/4
32	532 17 01-62	Rod, Tie
33	819 11 12-16	Washer 11/32 x 3/4 x 16 Ga.
34	810 04 05-00	Washer Lock Hvy Hlcl Spr 5/16
35	873 54 05-00	Nut Crownlock 5/16-24 unf
36	532 15 50-99	Bushing, Steering
37	532 15 29-27	Screw TT #10-32 x 5 x 3/8 Flange
38	532 14 01-75	Cap Wheel Steer
39	819 18 38-12	Washer 9/16 x 2-3/8 x 12 Ga.
40	873 54 06-00	Nut Crownlock 3/8-24
41	532 18 67-37	Adaptor, Steering Wheel
42	532 16 96-33	Boot, Steering Dash P/L Mtl
43	532 12 17-49	Washer 25/32 x 1-1/4 x 16 Ga.
44	532 18 06-40	Extension Steering
46	532 12 12-32	Cap, Spindle
51	873 54 04-00	Nut Crownlock 1/4-28
54	871 13 04-20	Bolt Hex 1/4-28 unf x 1-1/4
65	532 16 03-67	Spacer Brace Axle
67	872 11 06-18	Bolt Rdhd Sq 3/8-16 unc x 2-1/4
71	532 17 51-46	Steering Asm.
68	532 16 98-27	Brace Axle
82	532 16 98-35	Bracket Susp Chassis Front
87	532 17 39-66	Washer Flat .781 x 1-1/2 x .14
88	532 17 51-18	Bolt Shoulder 7/16-20 unc
91	532 17 55-53	Clip Steering
95	532 18 89-67	Washer Hardened

NOTE: All component dimensions given in U.S. inches.
1 inch = 25.4 mm.

REPAIR PARTS

TRACTOR- -MODEL NO. P1292RB (P1292RBB), PRODUCT NO. 964 77 19-01
SEAT ASSEMBLY



seat_lt.bolt_7

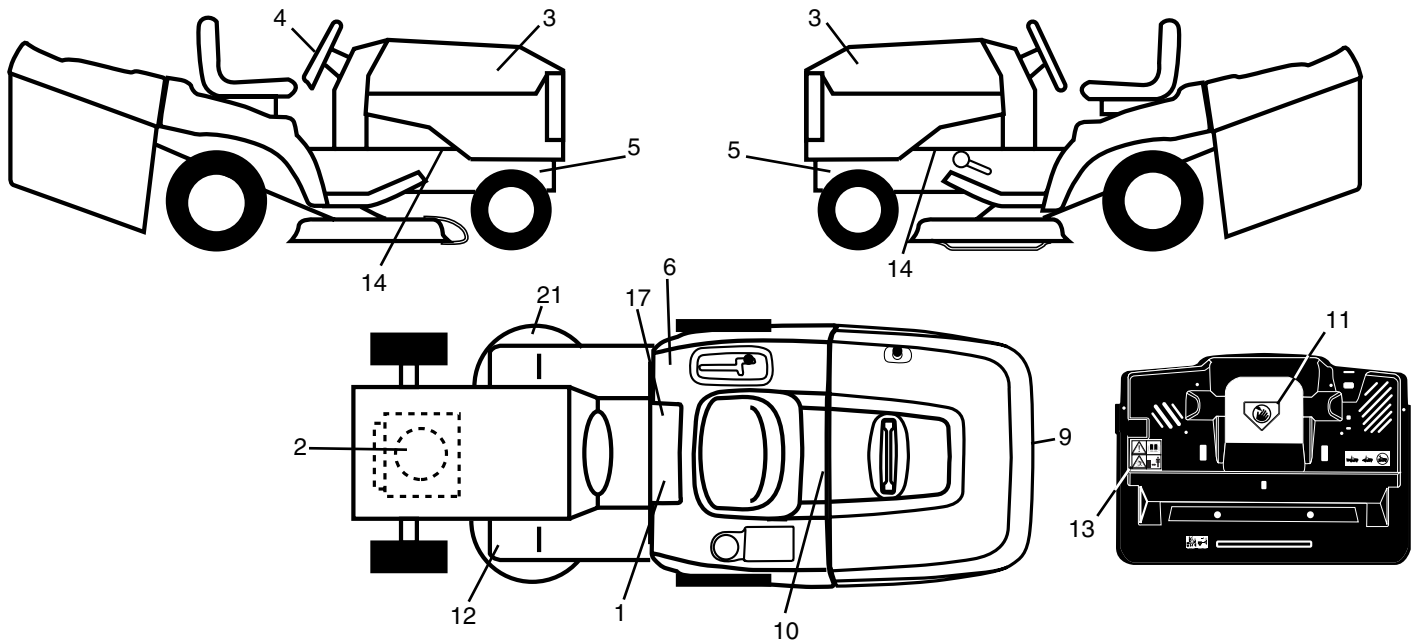
KEY NO.	PART NO.	DESCRIPTION
1	532 18 87-04	Seat
2	532 18 01-66	Bracket Pivot Seat
3	871 11 06-16	Bolt Fin Hex 3/8-16 unc x 1
4	819 13 16-10	Washer Flat 13/32 x 1 x 10 Ga.
5	532 14 50-06	Clip Push In Hinged
6	873 80 06-00	Nut Lock Hex 3/8-16 unc
7	532 12 41-81	Spring Seat Cprsn 2 250 Blk Zi
8	817 00 06-16	Screw 3/8-16 x 1-1/2
9	819 13 16-14	Washer 13/32 x 1 x 14 Ga.
10	532 18 01-86	Pan Seat
12	532 12 12-46	Bracket Pnt Mounting Switch
13	532 12 12-48	Bushing Snap Blk Nyl 50 Id

KEY NO.	PART NO.	DESCRIPTION
14	872 05 04-12	Bolt Rdhd Sht Nk 1/4-20 x 1-1/2
15	532 13 43-00	Spacer Split
16	532 12 12-50	Spring Cprsn Plate SW 1.310 Ga.
17	532 12 39-76	Nut Lock 1/4 Lge Flg Gr. 5 Zinc
21	532 17 18-52	Bolt Shoulder 5/16-18 unc-2A
22	873 80 05-00	Nut Hex Lock w/Ins 5/16-18
23	871 11 08-14	Bolt Hex Black
24	819 17 19-12	Washer 17/32 x 1-3/16 x 12 Ga.
25	532 12 70-18	Bolt Shoulder 5/16-18 x 62
26	810 04 08-00	Washer Lock Hvy Hlcl Spr 1/2

NOTE: All component dimensions given in U.S. inches.
1 inch = 25.4 mm

REPAIR PARTS

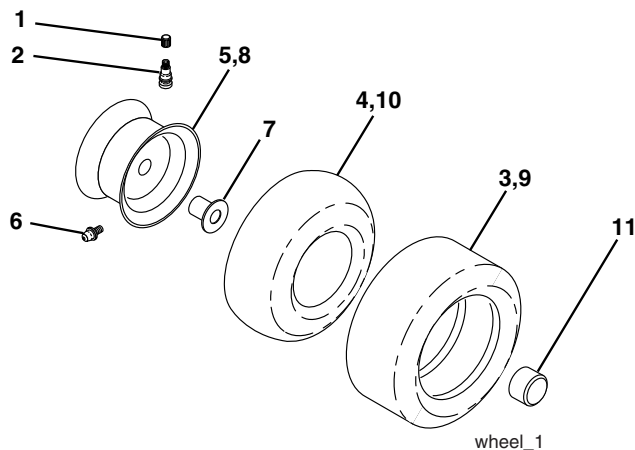
TRACTOR- -MODEL NO. P1292RB (P1292RBB), PRODUCT NO. 964 77 19-01
DECALS



KEY NO.	PART NO.	DESCRIPTION
1	532 14 54-98	Decal Read Owner's Manual Sym
2	532 18 48-54	Decal Hp Engine
3	532 18 56-46	Decal Hood
4	532 18 56-47	Decal Steering
5	532 18 56-51	Decal Chassis Turbo
6	532 18 04-32	Decal Fender 100 OB/CE
9	532 18 89-92	Decal Fender
10	532 14 50-05	Decal Bat Dan/Poi P/L Sym Wpn
11	532 18 21-66	Decal Mower Cut Finger Symbol
12	532 15 97-37	Decal Brake/Clutch Symbol Lt
13	532 18 04-35	Decal Warn Back Plate CRD

KEY NO.	PART NO.	DESCRIPTION
14	532 15 97-36	Decal Chassis Hot Muffler
17	532 14 08-37	Decal Saddle Brake Parking
21	532 16 62-86	Decal Hex Belt Sch 92 CRD
—	532 18 56-51	Decal Chassis Turbo
—	532 18 10-90	Pad Footrest RH
—	532 13 83-11	Decal Lift Handle
—	532 18 26-21	Decal Bagger Frame
—	532 18 10-91	Pad Footrest LH
—	532 18 52-30	Manual Operator's (Euro)
—	532 18 52-32	Manual Operator's (Scand)

WHEELS & TIRES

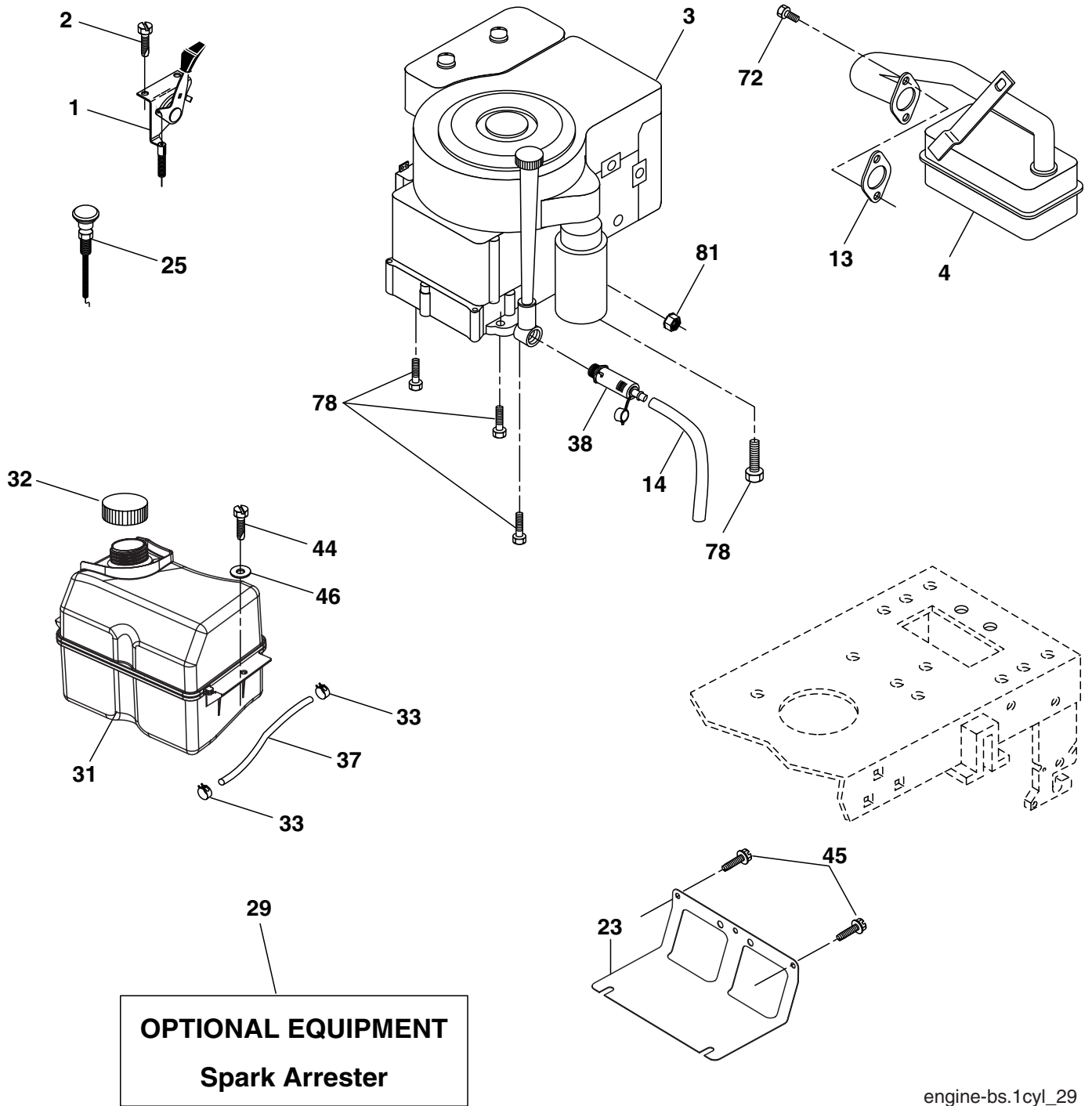


KEY NO.	PART NO.	DESCRIPTION
1	532 05 91-92	Cap Value Tire
2	532 06 51-39	Stem Value
3	532 10 62-22	Tire F Ts 15 x 6 0 - 6 Service
4	532 05 99-04	Tube Inner Front #35060
5	532 12 51-21	Rim Asm 6" front Service
6	532 12 49-57	Fitting Grease
7	532 12 49-59	Bearing Flange
8	532 12 51-22	Rim Asm 8" rear Service
9	532 10 62-68	Tire R Ts 18 x 9.5-8 Service
10	532 12 49-26	Tube Rear 9 5 x 8 Service
11	532 17 50-39	Cap Axle Blk 1 50 x 1 00
--	532 14 43-34	Sealant, Tire (10 oz. tube)

NOTE: All component dimensions given in U.S. inches
1 inch = 25.4 mm

REPAIR PARTS

TRACTOR- -MODEL NO. P1292RB (P1292RBB), PRODUCT NO. 964 77 19-01
ENGINE



engine-bs.1cyl_29

REPAIR PARTS

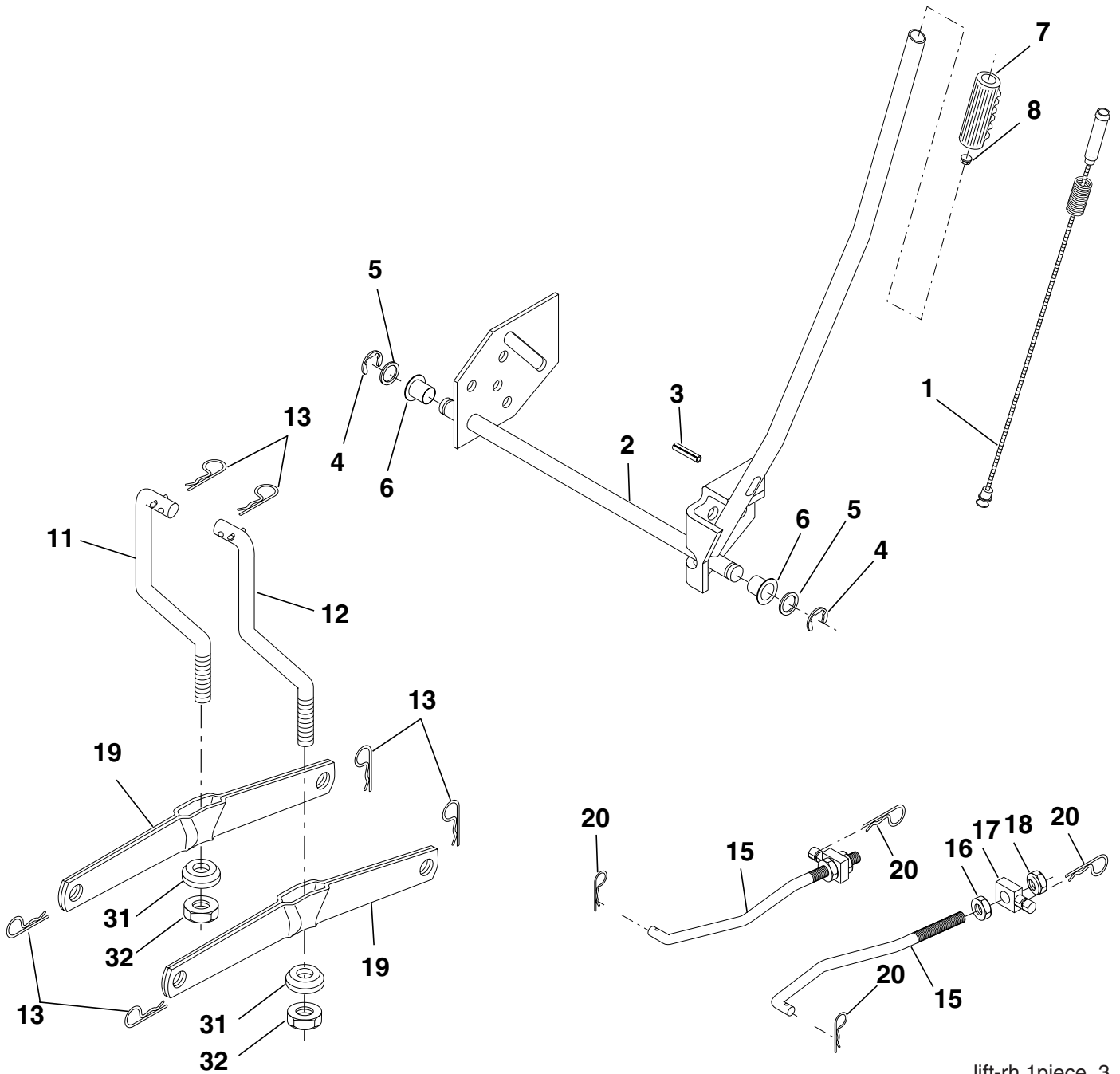
TRACTOR- -MODEL NO. P1292RB (P1292RBB), PRODUCT NO. 964 77 19-01
ENGINE

KEY NO.	PART NO.	DESCRIPTION
1	532 17 05-51	Control Throt
2	817 72 04-08	Screw Hex Thd Cut 1/4-20 x 1/2
3	-----	Engine B&S Model 21A807 (Order Parts from Engine Manufacturer)
4	532 17 97-58	Muffler Exhaust B&S Lt
13	532 16 52-91	Gasket 1 313 Id Tin Plated
14	532 14 84-56	Tube Drain Oil Easy
23	532 16 98-37	Shield Browning/Debris Guard
25	532 18 09-45	Control Choke
26	873 92 06-00	Nut Keps 3/8-24 unf
29	532 13 71-80	Arrestor Spark
31	532 18 55-34	Tank Fuel 2.00 Fr
32	532 14 05-27	Cap Asm Fule Top Vent N/Lany
33	532 12 34-87	Clamp Hose Blk
37	532 13 70-40	Line Fuel 20"
38	532 18 16-54	Plug Drain Oil Easy
44	817 67 04-12	Screw Hexwsh Thdrol 3/8-16 x 3/4
45	817 00 06-12	Screw 3/8-16 x 3/4
46	819 09 14-16	Washer 9/32 x 7/8 x 16 Ga.
72	532 18 39-06	Screw Socket Head 5/16-18 x 1
78	817 06 06-20	Screw 3/8-16x1-1/4
81	873 51 04-00	Nut Keps Hex 1/4-20 unc

NOTE: All component dimensions given in U.S. inches
1 inch = 25.4 mm

REPAIR PARTS

TRACTOR- -MODEL NO. P1292RB (P1292RBB), PRODUCT NO. 964 77 19-01
MOWER LIFT



lift-rh.1piece_3

REPAIR PARTS

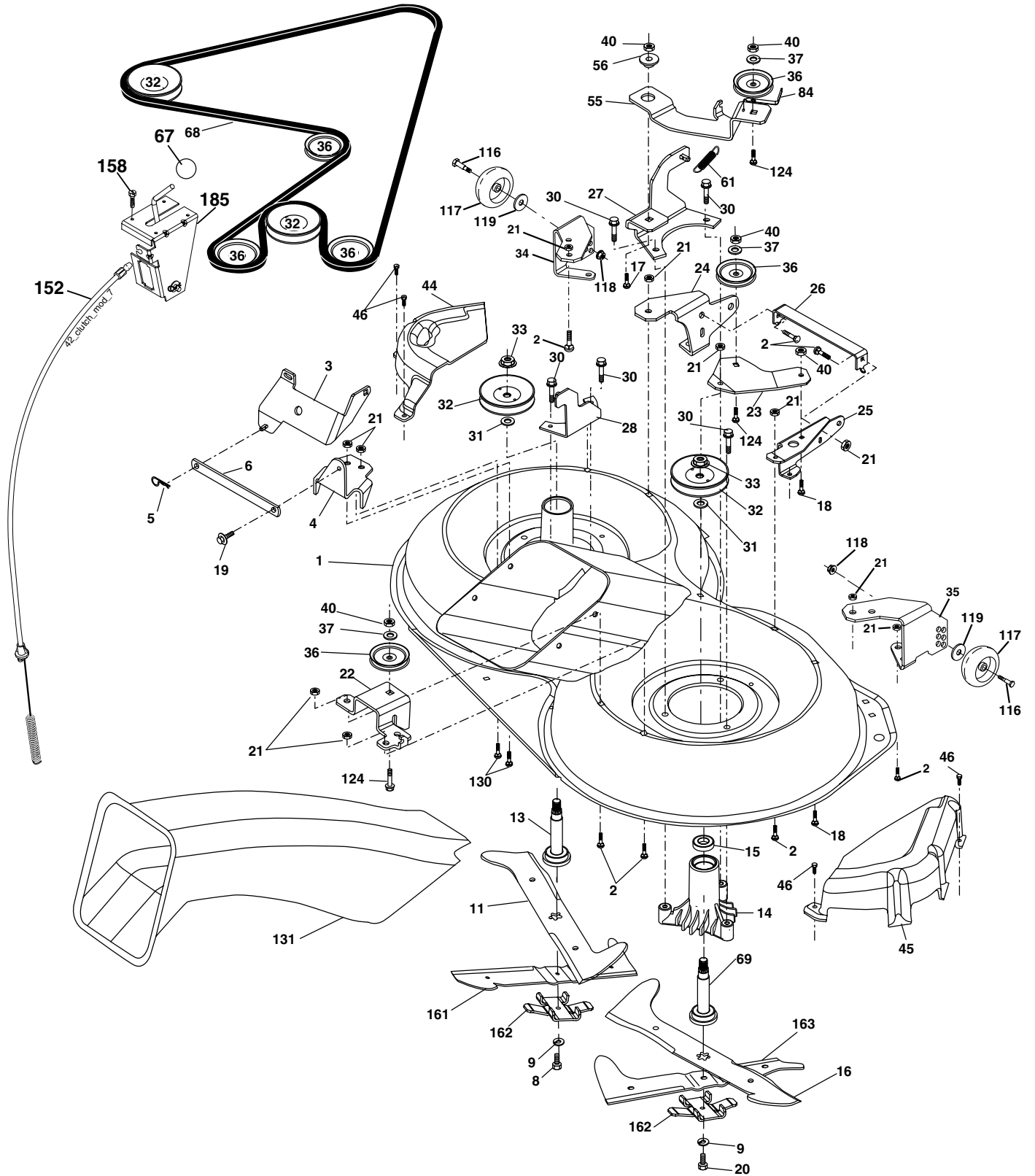
TRACTOR- -MODEL NO. P1292RB (P1292RBB), PRODUCT NO. 964 77 19-01
MOWER LIFT

KEY NO.	PART NO.	DESCRIPTION
1	532 15 94-60	Wire Asm Inner Spring W/Plunger
2	532 15 94-71	Shaft Asm. Lift
3	532 10 57-67	Pin Groove
4	812 00 00-02	E Ring #5133-62
5	819 21 16-21	Washer 21/32 x 1 x 21 Ga.
6	532 12 01-83	Bearing Nylon
7	532 10 94-13	Grip Handle Bicycle
8	532 12 45-26	Button Plunger Black
11	532 16 58-29	Link Asm Lift L.H.
12	532 16 58-31	Link Asm Lift R.H.
13	532 12 46-70	Retainer Spring
15	532 17 32-88	Link Front
16	873 35 08-00	Nut Jam Hex 1/2-13 unc
17	532 17 56-89	Trunnion Blk Zinc
18	873 80 08-00	Nut Lock w/Wsh 1/2-13 unc
19	532 13 98-68	Arm Suspension Mower
20	532 16 35-52	Retainer Spring
31	532 16 98-65	Bearing, Pvt. Lift.
32	873 54 06-00	Nut Crownlock 3/8-24

NOTE: All component dimensions given in U.S. inches
1 inch = 25.4 mm

REPAIR PARTS

TRACTOR- -MODEL NO. P1292RB (P1292RBB), PRODUCT NO. 964 77 19-01
MOWER



REPAIR PARTS

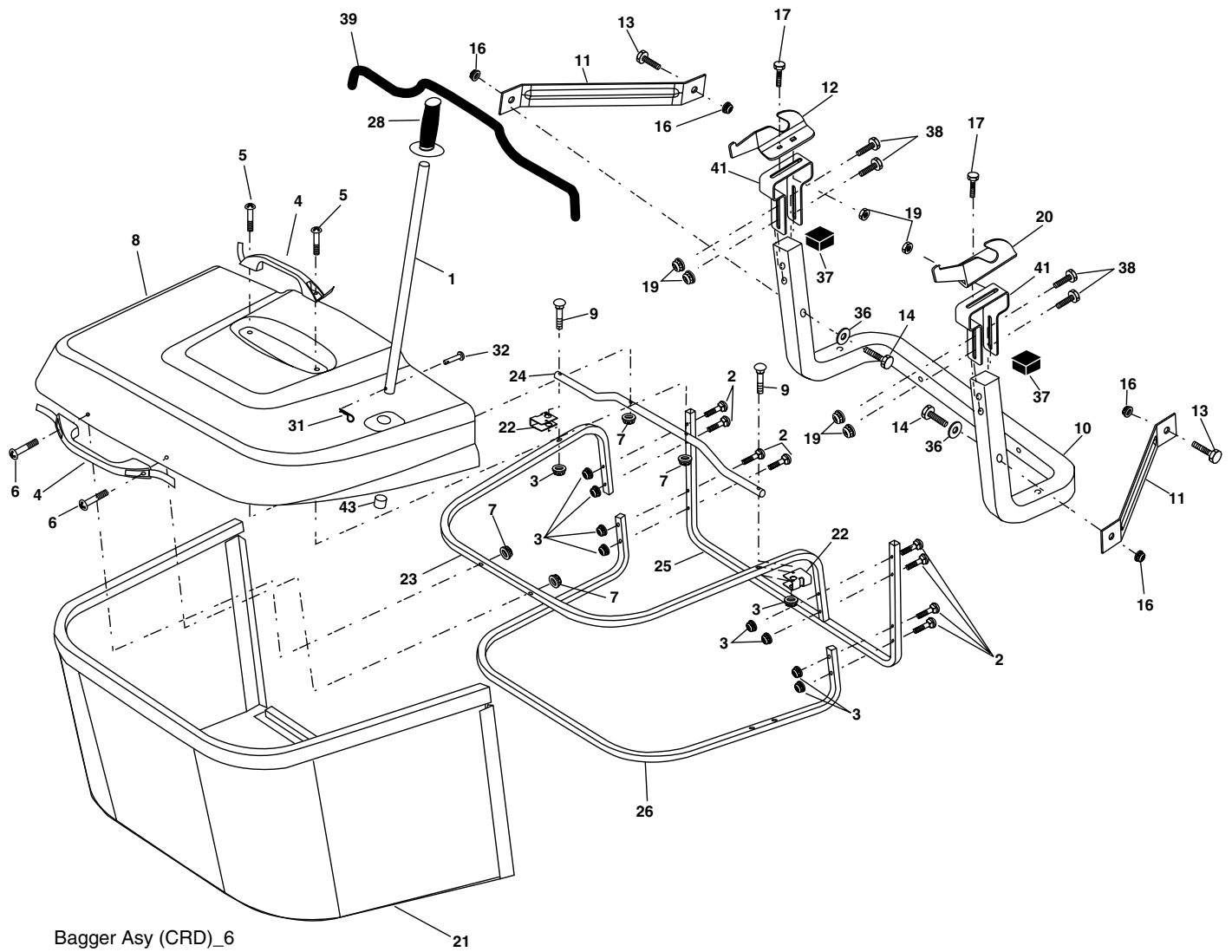
TRACTOR- -MODEL NO. P1292RB (P1292RBB), PRODUCT NO. 964 77 19-01
MOWER

KEY NO.	PART NO.	DESCRIPTION	KEY NO.	PART NO.	DESCRIPTION
1	532 16 55-52	Housing Asm. Mower	44	532 17 55-38	Cover Mandrel Lh
2	872 14 05-06	Bolt Rdhd Sqnk 5/16-18 unc x 3/4	45	532 17 55-39	Cover Mandrel Rh
3	532 16 55-69	Bracket Asm. S-Bar Chass	46	532 13 77-29	Screw Thd Roll 1/4-20 x 5/8
4	532 16 55-58	Bracket Bar Sway Deck	55	532 16 54-45	Arm Idler
5	532 12 46-70	Retainer Spring	56	532 16 57-23	Spacer Retainer PM Mower
6	532 16 55-57	Bar Sway	61	532 16 59-45	Spring Tension Belt
8	532 18 17-12	Bolt 3/8-24 x 1.25 Gr. 8 Patched	67	532 10 69-32	Knob Rd 3/8-16 Plstc Thds Blk
9	810 03 06-00	Washer Lock Hvy 3/8 Unplated	68	532 18 02-17	Hex-Belt 92 Mower
11	532 18 63-85	Blade 3-1 Lh	69	532 16 54-82	Shaft Asm W/Lwr Brg Rh Thd CRD
13	532 13 76-45	Shaft Asm. W/Lower Bearing	84	532 15 60-85	Keeper Belt Idler
14	532 12 87-74	Housing Mandrel Vented (Machd)	116	532 18 42-19	Bolt Shoulder
15	532 11 04-85	Bearing Ball Mandrel	117	532 13 39-57	Wheel Gage Donut Wide
16	532 18 63-86	Blade 3-1 Rh	118	873 93 06-00	Nut Centerlock 3/8-16 unc
17	872 14 06-10	Bolt Carriage 3/8-16 x 1-1/4	119	819 12 14-14	Washer 3/8 x 7/8 x 14 Ga.
18	872 11 06-06	Bolt Rdhd Sqnk 3/8-16 x 3/4	124	872 11 06-12	Bolt Carr Sh 3/8-16 x 1-1/2 Gr. 5
19	532 13 28-27	Bolt Shoulder 5/16-18 Thd Form	130	872 11 05-06	Bolt Rdhdsqnk 5/16-18 unc x 3/4
20	532 18 17-13	Bolt 3/8-24 x 1.25 Gr. 8 Ptch Lhthd	131	532 16 56-61	Chute Bagger CRD
21	873 68 05-00	Nut Crown Lock 5/16-18	152	532 17 60-74	Cable Clutch CRD Service
22	532 16 52-43	Bracket Idler Sprt RR	158	817 72 04-08	Screw Hex Thdcut 1/4-20 x 5/8
23	532 16 54-46	Bracket Idler Sprt RF	161	532 18 63-87	Blade Cross Lh 92
24	532 16 52-42	Bracket Suspension LF	162	532 18 08-78	Adpater Blade Cross
25	532 16 52-44	Bracket Suspension RF	163	532 18 63-88	Blade Cross Rh 92
26	532 16 52-37	Brace Support Susp Frt CRD	185	532 18 82-34	Head Asm. Cable Clutch
27	532 16 55-68	Bracket Asm. Susp RR	--	532 18 18-57	Mandrel Asm Service
28	532 16 55-67	Bracket Asm. Susp LR	--	532 18 18-58	Mandrel Asm CRD Lh Threads SVC
30	532 17 39-84	Screw Thd Rolling Washer Head	--	532 18 85-23	Replacement Mower Complete- - (Std. deck Order separately gauge wheel components Key Nos. 116- 119)
31	532 18 76-90	Washer Spacer			
32	532 15 35-31	Mandrel Pulleys 36 & 46			
33	532 17 83-42	Nut Flg Top Lock			
34	532 16 52-39	Bracket Gauge Wheel Lf			
35	532 16 52-38	Bracket Gauge Wheel Rf			
36	532 14 67-63	Pulley Idler V-Groove Dim 4.25			
37	819 13 13-16	Washer 11/32 x 13/16 x 16 Ga.			
40	873 68 06-00	Nut Crownlock 3/8-16 unc			
41	873 90 06-00	Nut Crownlock 3/8-16 unc			

NOTE: All component dimensions given in U.S. inches
1 inch = 25.4 mm

REPAIR PARTS

TRACTOR- -MODEL NO. P1292RB (P1292RBB), PRODUCT NO. 964 77 19-01
BAGGER



Bagger Asy (CRD)_6

REPAIR PARTS

TRACTOR- -MODEL NO. P1292RB (P1292RBB), PRODUCT NO. 964 77 19-01
BAGGER

KEY NO.	PART NO.	DESCRIPTION
1	532 16 52-49	Tube Handle Bagger CRD
2	872 14 04-16	Bolt Carriage 1/4-20 x 2.0 Gr.5
3	532 12 39-76	Nut Lock 1/4 Lge Flg Gr. 5 Zinc
4	532 16 99-16	Handle Bagger w/Lvrs Gr. 5 Zinc
5	874 98 10-24	Screw Pan Head #10-24 x 1.50 Blk
6	874 98 10-32	Screw Pan Hd
7	873 40 10-00	Nut Wiz Lock Hex Serr/Hd #10-24
8	532 18 13-87	Cover Bagger Steel
9	872 14 04-18	Bolt Carriage 1/4-20 x 2.25d x Gr. 5
10	532 18 12-82	Tube Support Bagger CRD
11	532 16 57-19	Bracket Support Upper Bag CRD
12	532 18 88-48	Bracket Pivot LH
13	872 11 06-06	Bolt Rdhd Sht Sqnk 3/8-16 x 3/4
14	874 52 06-36	Bolt Hex 3/8-16 x 2-1/4 Gr. 5
16	873 90 06-00	Nut Lock Flg 3/8-16 unc
17	872 14 05-06	Bolt Rdhd Sht Sqnk 5/16-18 unc x 3/4
19	873 90 05-00	Nut Lock Hex Flange 5/16-18
20	532 18 88-47	Bracket Pivot RH
21	532 18 08-80	Bag Asm CRD
22	532 16 57-81	Bracket Side Bagger CRD
23	532 16 57-82	Tube Upper Bagger CRD
24	532 16 57-83	Tube Pivot Bagger CRD
25	532 18 01-24	Tube Front Bagger CRD
26	532 16 57-85	Tube Lower Bagger CRD
28	532 16 57-87	Grip Handle Black
31	532 16 94-84	Retainer Clip
32	532 12 68-75	Rivet Rd Hd Drilled 3/8 Dia
36	819 13 20-16	Washer 13/32 x 1-1/4 x 16 Ga.
37	532 17 54-01	Plug Support Bagger CRD
38	872 01 05-20	Bolt 5/16-18 x 2-1/2
39	532 18 09-85	Seal Trim 37"
41	532 16 96-83	Bracket Vert Adj Bagger CRD
43	532 17 40-83	Plug Tubing End

NOTE: All component dimensions given in U.S. inches
1 inch = 25.4 mm